

Headers  
headers.SchDoc

VBAT  
#RESET  
ISP\_RXD  
ISP\_TXD  
ISP\_REQ  
H1.4  
H1.5  
H1.6  
H1.7  
H1.8  
H1.9  
H1.10  
H1.11  
H1.12  
H1.13  
H1.14  
H1.15  
H1.16

VBAT  
#RESET  
ISP\_RXD  
ISP\_TXD  
ISP\_REQ  
H1.4  
H1.5  
H1.6  
H1.7  
H1.8  
H1.9  
H1.10  
H1.11  
H1.12  
H1.13  
H1.14  
H1.15  
H1.16

MCU  
mcu.SchDoc

VBAT  
#RESET  
P0.3/RXD0/AD0.6  
P0.2/TXD0/AD0.7  
P2.10/EINT0/NMI  
P1.22/MCOB0/USB\_PWRD/MAT1.0  
P1.20/MCI0/PWM1.2/SCK0  
P1.23/MCI1/PWM1.4/MISO0  
P1.24/MCI2/PWM1.5/MOSI0  
P1.25/MCOA1/MAT1.1  
P1.26/MCOB1/PWM1.6/CAP0.0  
P1.28/MCOA2/PCAP1.0/MAT0.0  
P1.29/MCOB2/PCAP1.1/MAT0.1  
P0.0/RD1/TXD3/SDA1  
P0.1/TD1/RXD3/SCL1  
P0.18/DCD1/MOSI0/MOSI  
P0.17/CTS1/MISO0/MISO  
P0.15/TXD1/SCK0/SCK

H2.7  
H2.8  
H2.9  
H2.10  
H2.11  
H2.12  
H2.13  
H2.14  
H2.15  
H2.16  
H2.17

H2.7  
H2.8  
H2.9  
P1.0  
P1.1  
P1.4  
P1.8  
P1.9  
H2.14  
H2.15  
H2.16  
H2.17  
P0.26/AD0.3/AOUT/RXD3  
P1.31/SCK1/AD0.5  
P1.0  
P1.1  
P1.4  
P1.8  
P1.9  
P4.28/RX\_MCLK/MAT2.0/TXD3  
P4.29/TX\_MCLK/MAT2.1/RXD3  
P0.10/TXD2/SDA2/MAT3.0  
P0.11/RXD2/SCL2/MAT3.1

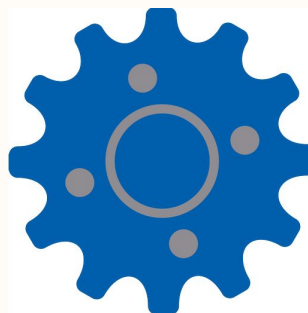
PADS  
pads.SchDoc

P0.22/RTS1/TD1  
P0.25/AD0.2/I2SRX\_SDA/TXD3  
P0.16/RXD1/SSEL0/SSEL  
P1.10  
P1.14  
P1.15  
TP1  
TP2  
TP3  
TP4  
TP5  
TP6  
0.22  
0.25  
0.16  
1.10  
1.14  
1.15

Devices  
devices.SchDoc

CS  
SCK  
MISO  
MOSI  
P1  
P2  
P3  
P4  
P5  
P6  
P7  
P8  
P9  
P10

F\_CS  
F\_SCK  
F\_MISO  
F\_MOSI  
P1  
P2  
P3  
P4  
P5  
P6  
P7  
P8  
P9  
P10  
P0.6/I2SRX\_SDA/SSEL1/MAT2.0  
P0.7/I2STX\_CLK/SCK1/MAT2.1  
P0.8/I2STX\_WS/MISO1/MAT2.2  
P0.9/I2STX\_SDA/MOSI1/MAT2.3  
P2.9/USB\_CONNECT/RXD2  
P2.8/TD2/TXD2  
P2.7/RD2/RTS1  
P2.6/PCAP1.0/R11/TRACECLK  
P2.5/PWM1.6/DTR1/TRACEDATA.0  
P2.4/PWM1.5/DSR1/TRACEDATA.1  
P2.3/PWM1.4/DCD1/TRACEDATA.2  
P2.2/PWM1.3/CTS1/TRACEDATA.3  
P2.1/PWM1.2/RXD1  
P2.0/PWM1.1/TXD1

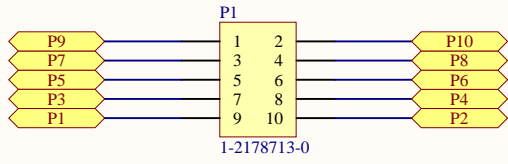


Stratify Alpha

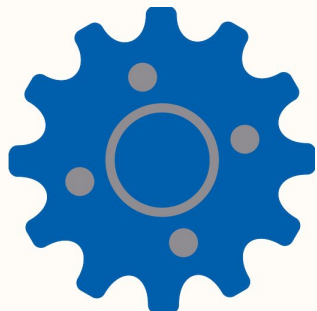
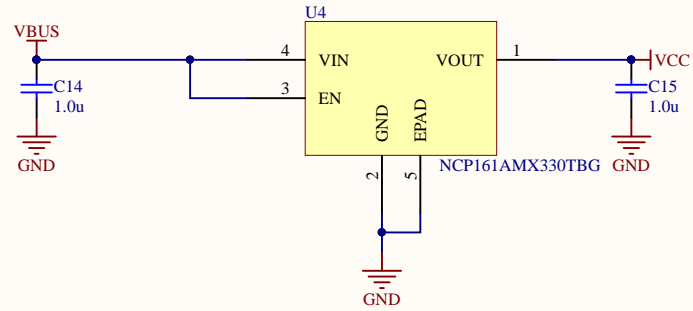
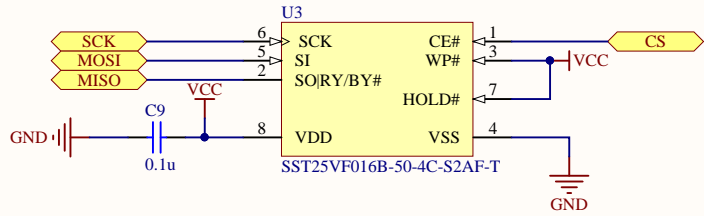
TOP

Copyright 2016 Stratify Labs All Rights Reserved

Size Letter	FCSM No.	DWG No.	Rev
		STFY-0001	X3
Scale	Sheet		
NA	1 of 5		



### Serial Flash IC 16MB

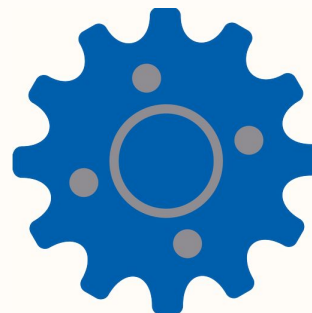
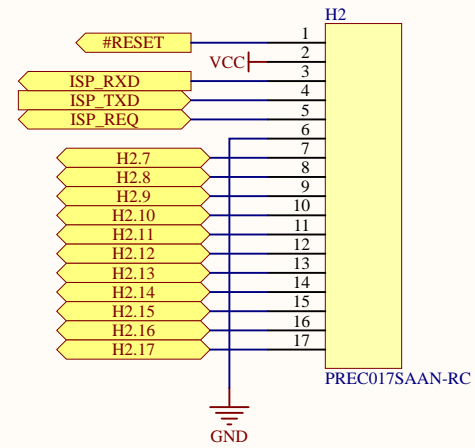
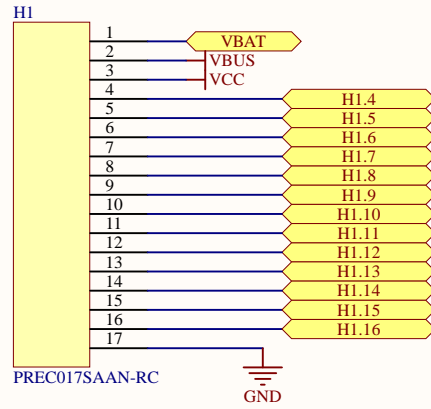


Stratify Alpha

Devices

Copyright 2016 Stratify Labs All Rights Reserved

Size Letter	FCSM No.	DWG No.	Rev
		STFY-0001	X3
Scale	Sheet		
NA	2 of		5



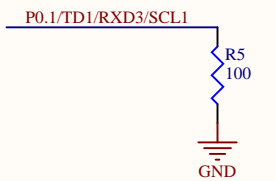
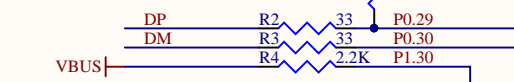
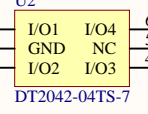
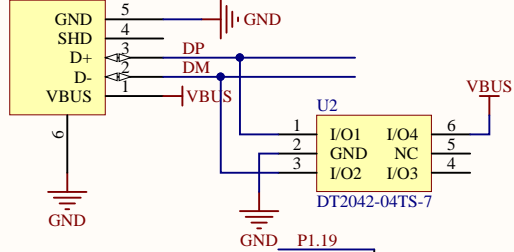
Stratify Alpha

20 Pin Headers

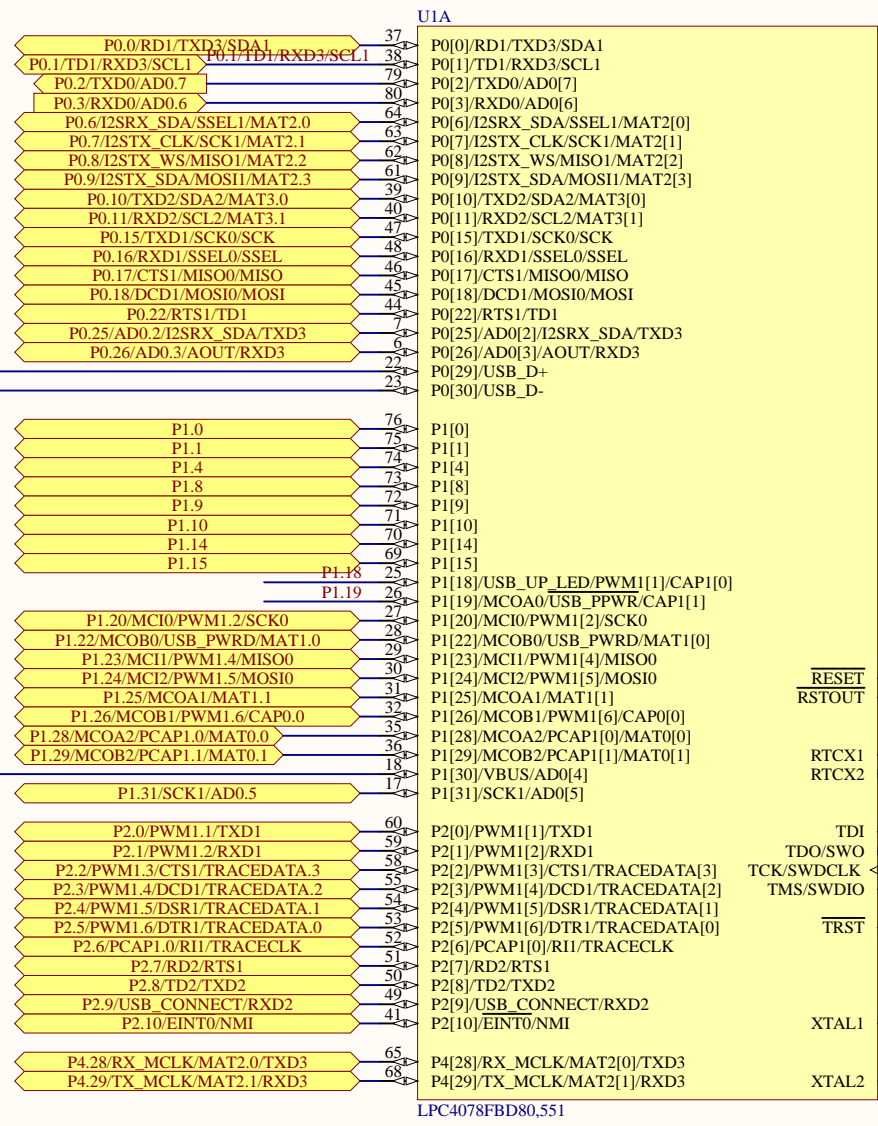
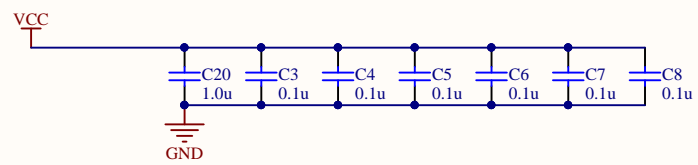
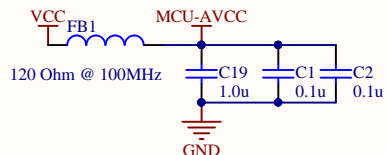
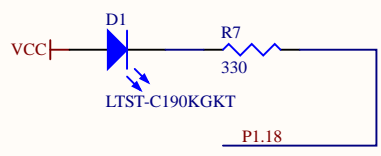
Copyright 2016 Stratify Labs All Rights Reserved

Size Letter	FCSM No.	DWG No.	Rev
		STFY-0001	X3
Scale	Sheet		
NA	3 of		5

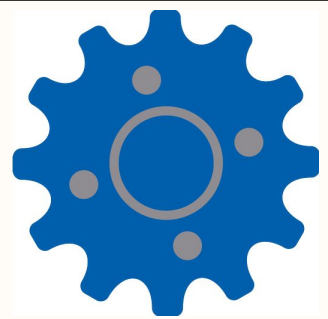
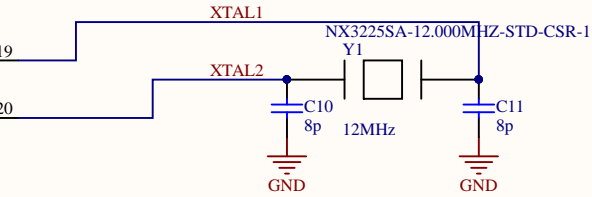
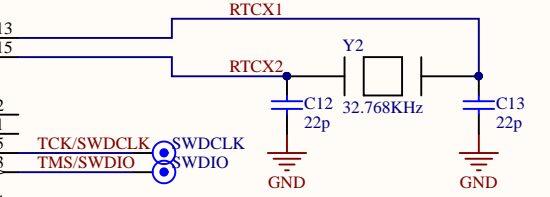
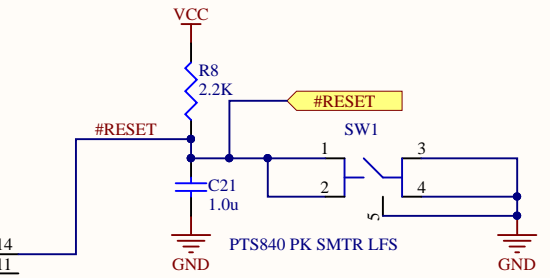
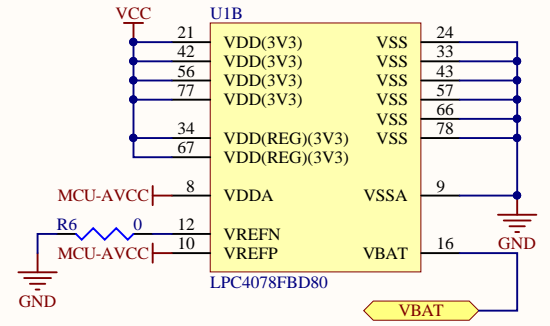
10118194-0001LF  
CONN1



DFU Request Pads (Not Stuffed)



LPC4078FBD80,551

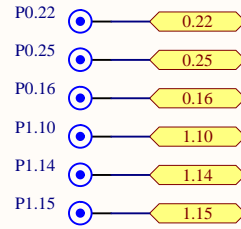


Straty Alpha

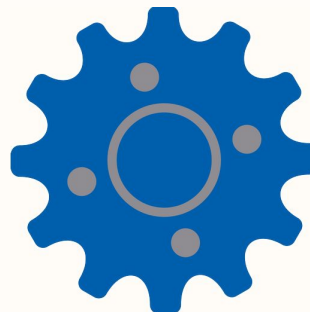
MCU

Copyright 2016 Straty Labs All Rights Reserved

Size Letter	FCSM No.	DWG No.	Rev
		STFY-0001	X3
Scale	Sheet		
NA	4 of 5		



Place Test points on BOTTOM side



Stratify Alpha

Devices

Copyright 2016 Stratify Labs All Rights Reserved

Size Letter	FCSM No.	DWG No.	Rev
		STFY-0001	X3
Scale	Sheet		
NA	5 of		5